

**CH**  
**Warman**  
**PUMP GROUP**



DTV Sump Pumps

# DTV Sump Pumps

**Team**  
**Warman**

THE TOTAL SLURRY SOLUTION



# Warman DTV Sump Pump

## Warman DTV Sump Pump

### Versatility with minimum maintenance

The cost effective Warman range of DTV metal sump pumps is capable of pumping a wide variety of slurries, suspended solids and chemicals.

Radial loads are contained by the twin discharge casings, eliminating the use of a support bearing. The shaft is protected by a sleeve in the high wear area in the strainer.

### DTV Design and Construction

#### Casing

For ease of maintenance, two locking cotters and salvic joints are fitted to the pump casing to facilitate quick release. A simple strainer mechanism rests above the wearing plate to ensure oversize particles do not pass into the casing. Material to suit application with the standard being wear resistant high chrome alloy.

#### Columns and Discharge Pipes

Columns and discharge pipes are fabricated from mild or stainless steel with flanges to suit the salvic joints. Rubber lined discharge pipes are available as an option.

#### Strainer

Cast iron or stainless steel with a slide on fit, held in position by two cotters for ease of maintenance.

#### Bearing Assembly

The bearing assembly is grease lubricated and sealed by labyrinths and V-seals. The upper and lower bearings are grease purged. Both bearings, drive and non-drive end bearings are taper roller types. Lower support bearings are not required except on 1830 mm and longer shafts which have a unique cutless rubber bearing fitted.

#### Impeller

Open 5-vane top suction impeller to handle large solids. Material to suit application with the standard being wear resistant high chrome alloy.

### Standard Features

- Heavy duty grease lubricated taper roller bearings
- Single flange discharge pipe
- Single bolt adjustment to tension V-drive
- Simple impeller adjustment
- Quick release cotters and salvic joints
- Light and robust

### Optional Features

- Cutless elastomers intermediate bearing  
(1830 mm, 2200 mm, 2740 mm, 3050 mm, 3450 mm and 4000 mm)
- Direct coupled
- Liquid injection agitation



# Warman DTV Sump Pump

# Warman DTV Sump Pump

The installation of Warman sump pumps combines reliable performance with minimum cost of installation and lowest cost of ownership.

## Typical Applications

- Drainage
- Magnetite Mixing
- Spillage
- Sump Drainage
- Floor Washing
- De-Watering

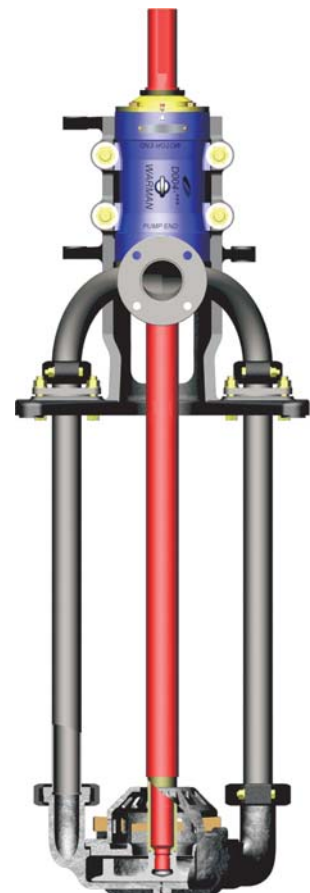
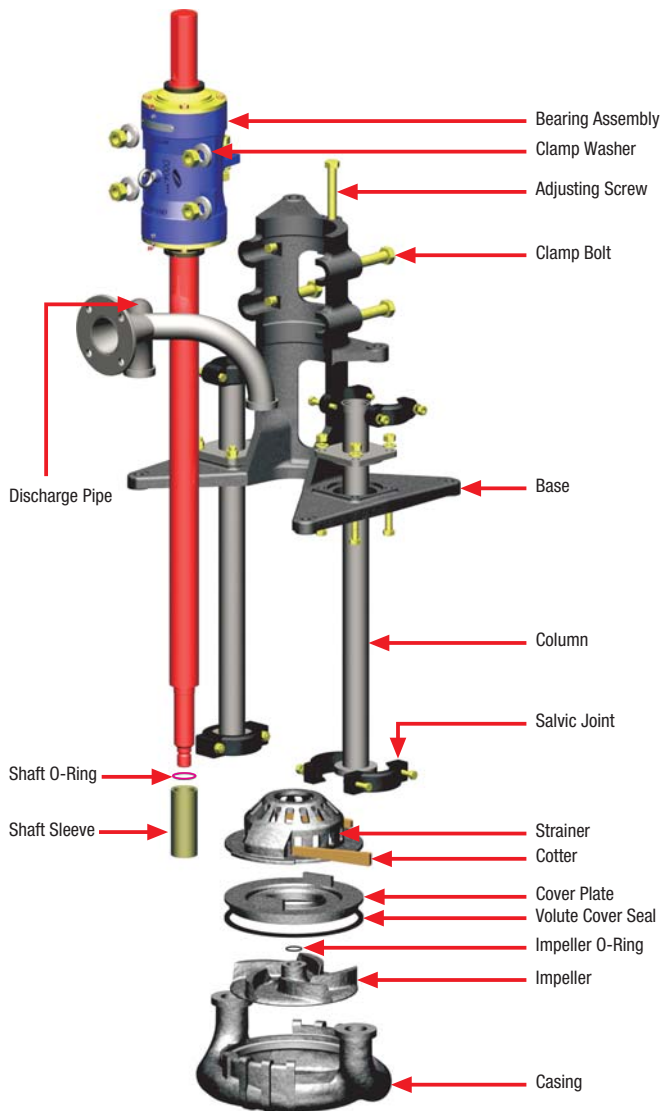


Spillage application

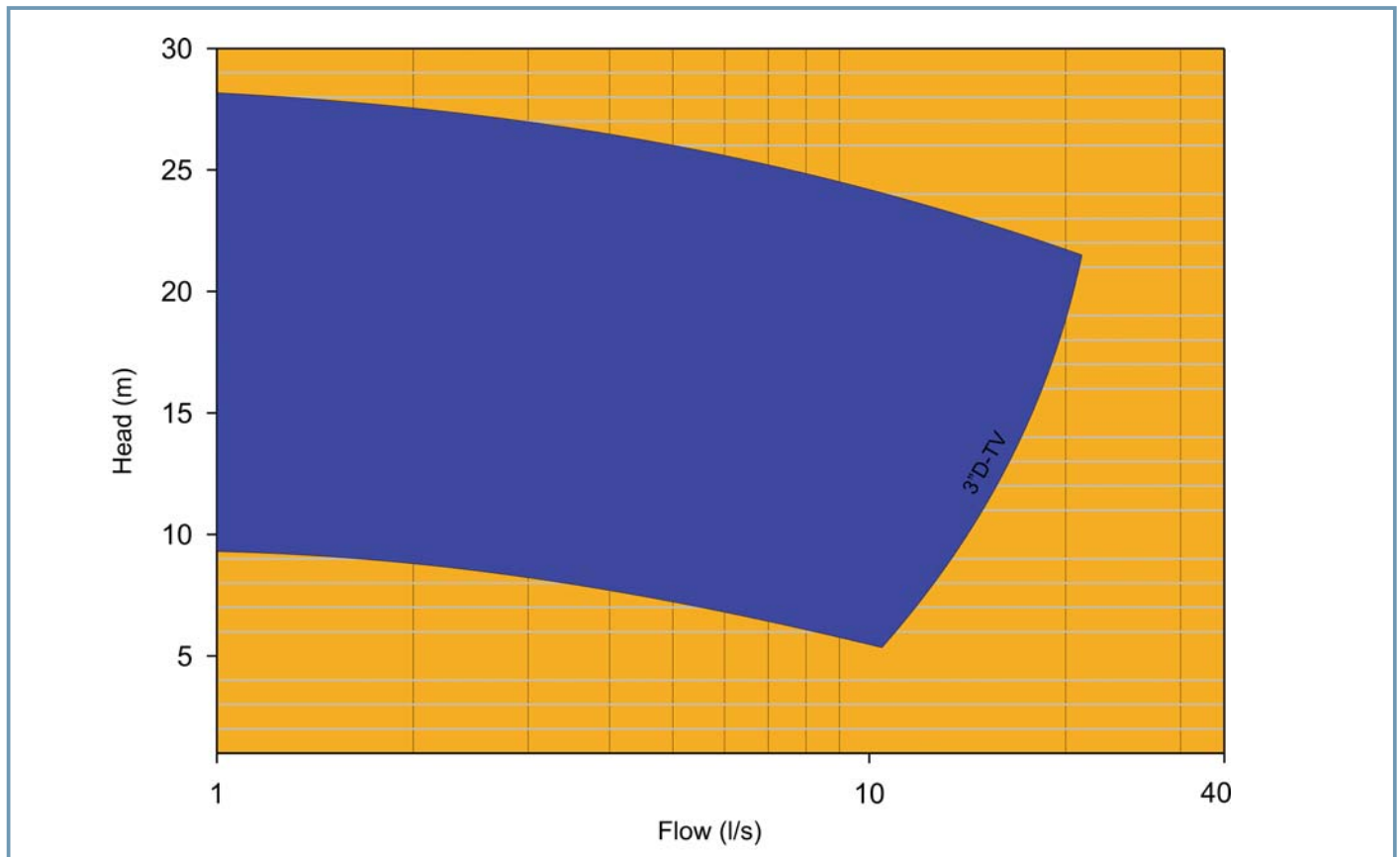


Direct coupled DTV

## Sectional Arrangement



## Selection Chart



The selection chart should be used as a basic guide only.

It indicates the range and quality and head available from Warman pumps with standard impellers. It can also, however, be used to obtain a preliminary pump selection providing the user is able to estimate the quantity of slurry to be pumped and the developed head required.

## Materials of Construction

	COVER PLATE	IMPELLER	CASING	STRAINER	SHAFT	SHAFT SLEEVE
<b>Standard</b>	High Chrome Alloy	High Chrome Alloy	High Chrome Alloy	Cast Iron	EN8	SG Iron
<b>Options</b>	Stainless Steel	Stainless Steel	Stainless Steel	Stainless Steel	Stainless Steel	Abrasion Resistant Steel

Consult CH Warman Pump Group for all optional configurations



### Warman Africa (Proprietary) Limited

3-5 Clarke Street South, Alrode, Alberton  
 P O Box 17872, Randhart, 1457 Republic of South Africa  
 Tel: +27 (011) 617-0700  
 Fax: +27 (011) 617-0791  
 e-mail: pumpsales@warman.co.za  
 website: www.warman.co.za

A DIVISION OF  CH WARMAN GROUP



For Alrode Manufacturing

We reserve the right to institute changes in material, designs and specifications within this leaflet to enable a policy of continuing product improvement.