

CH
Warman
PUMP GROUP

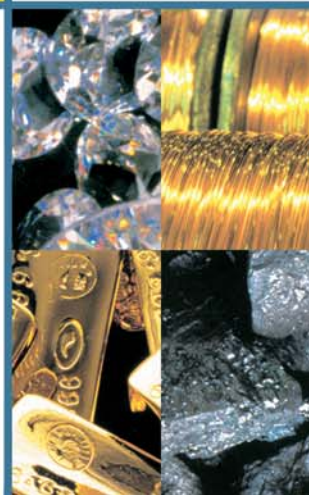


MP Pump

MP Pump

Team
Warman

THE TOTAL SLURRY SOLUTION



Warman MP Pump

Warman MP Pump

Warman MP Pump

Lower total cost of ownership is a given with the Warman MP range of unlined metal pumps.

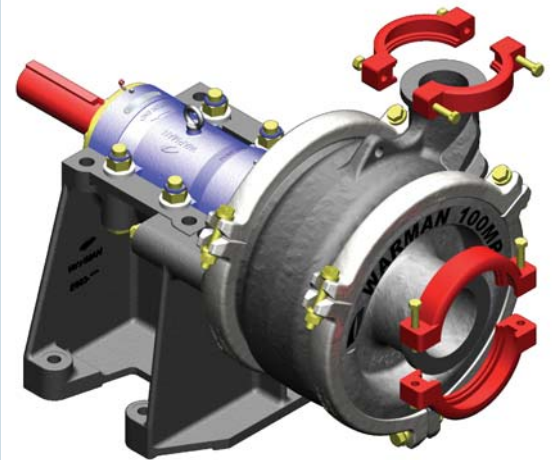
Aimed specifically at customers who use older generation unlined metal pumps, the technology adopted in the Warman MP range of pumps offers improved process efficiency with a significant cost reduction. These benefits are achieved without the need to modify the basic pump installation.

The previous generation Warman unlined metal pump, Type 'P', earned the reputation as the workhorse of the metal pump market over the past 45 years, and the Warman MP range incorporates all of these, and other features.

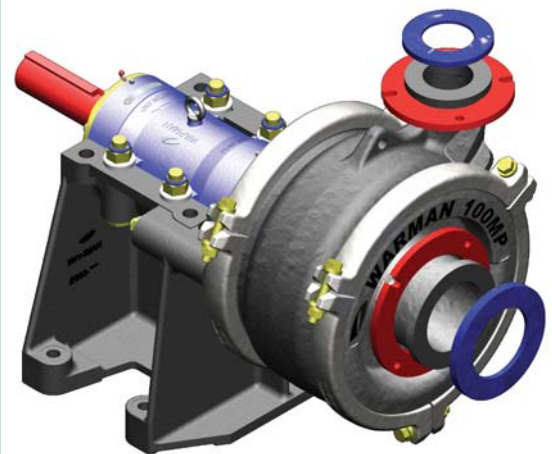
The Warman MP range boasts the latest in design techniques with components having been designed and optimised using 3D solids modeling, finite element analysis and computational fluid dynamics software ensuring maximum material utilisation, optimum efficiencies and an improved wear performance. Across the board efficiency improvements range from 8 to 12 %, and field trials showed a wear life improvement of between 10 to 15%.

Ease of maintenance was emphasised during the design phase, and the clamp arrangement has been simplified reducing the number and weight of clamp ring segments. The bearing assembly is of the grease lubricated cartridge type and can be replaced with the pump base in-situ, facilitating easy maintenance. Intermediate (AM) bearing frame sizes and extra heavy duty as well as oil lubricated bearing assemblies have been added as options and are available on request. The salvic joints on both suction and discharge have been retained with the option of installing split flanges for through bolting if required.

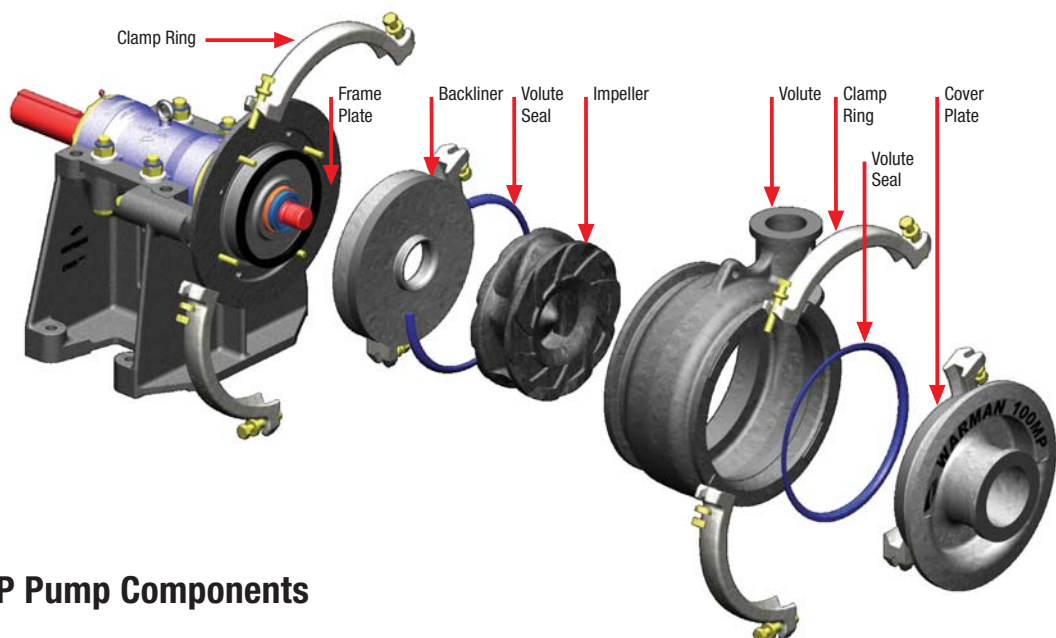
The pumps are fitted as standard with a centrifugal shaft seal which eliminates the need for gland sealing water. This reduces costs, eliminates product dilution and is suitable where suction conditions permit. A stuffing box suitable for gland sealing is available on request as is the Warman Dyna Seal.



Pump with Salvic Joints



Pump with Split Flange



MP Pump Components

Features and Applications

Features and Applications

Features

- Lower power consumption
- Improved wear performance
- Higher efficiencies
- Ease of maintenance
- Intermediate AM bearing range
- Heavy duty bearing assembly option
- Spares interchangeable with Warman Type 'P' range
- Various flange options
- Maximum operating pressure of 8 bar

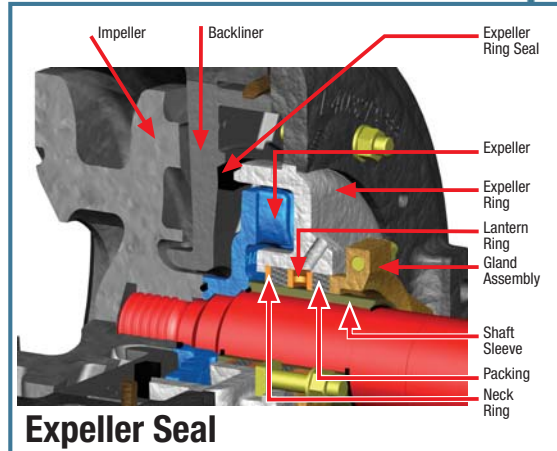
Industries

- Coal
- Diamond
- Steel
- Sugar
- Chrome
- Iron ore
- Industrial minerals

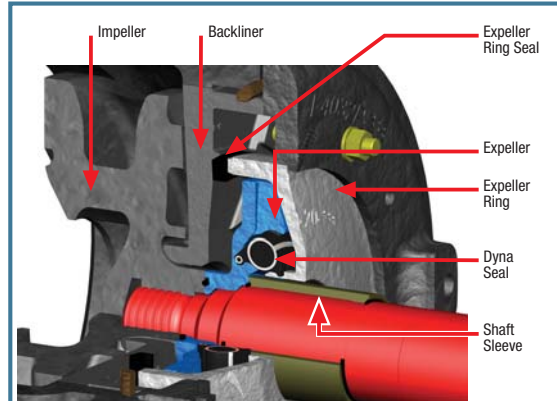
Applications

- Cyclone feed
- Dense media transfer
- Dense media make-up
- Mill discharge
- Slag granulation
- Bottom boiler and fly ash
- Ferrosilicon make up
- Thickener underflow
- Tailings
- Dewatering
- General gravel dredging operations

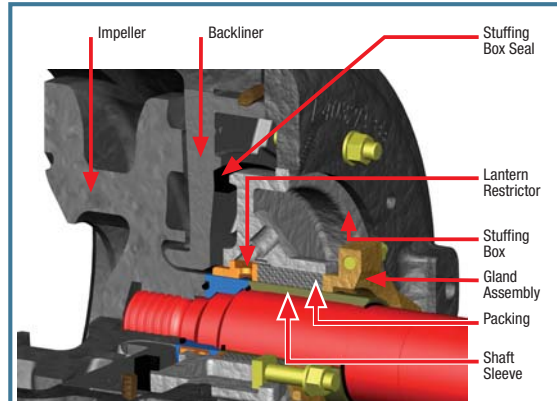
Shaft Sealing Options



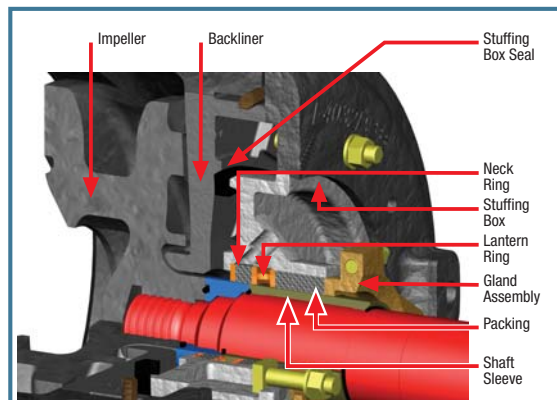
Expeller Seal



Warman Dyna Seal

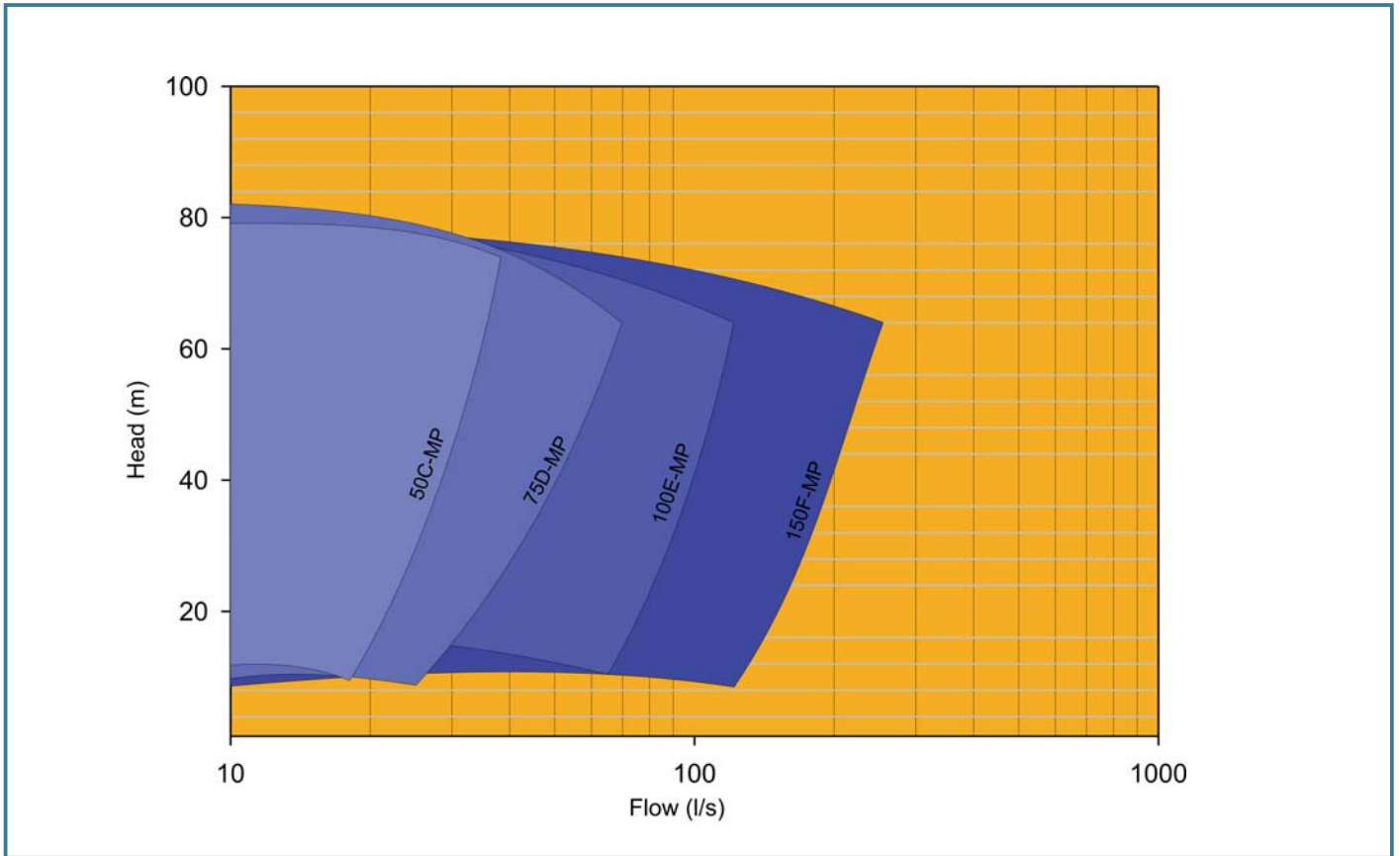


Gland Seal-Full Flow

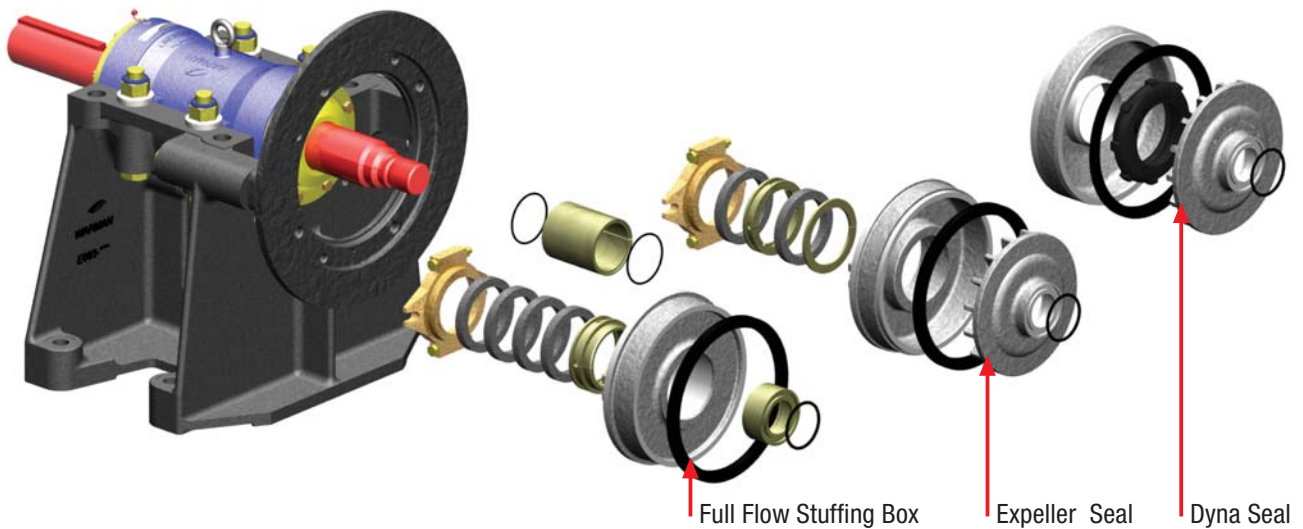


Gland Seal-Ultra Low Flow

Selection Chart



MP Pump with Sealing Arrangement



Warman Africa (Proprietary) Limited

3-5 Clarke Street South, Alrode, Alberton
 P O Box 17872, Randhart, 1457 Republic of South Africa
 Tel: +27 (011) 617-0700
 Fax: +27 (011) 617-0791
 e-mail: pumpsales@warman.co.za
 website: www.warman.co.za

A DIVISION OF  CH WARMAN GROUP



For Alrode
 Manufacturing

We reserve the right to institute changes in material, designs and specifications within this leaflet to enable a policy of continuing product improvement.